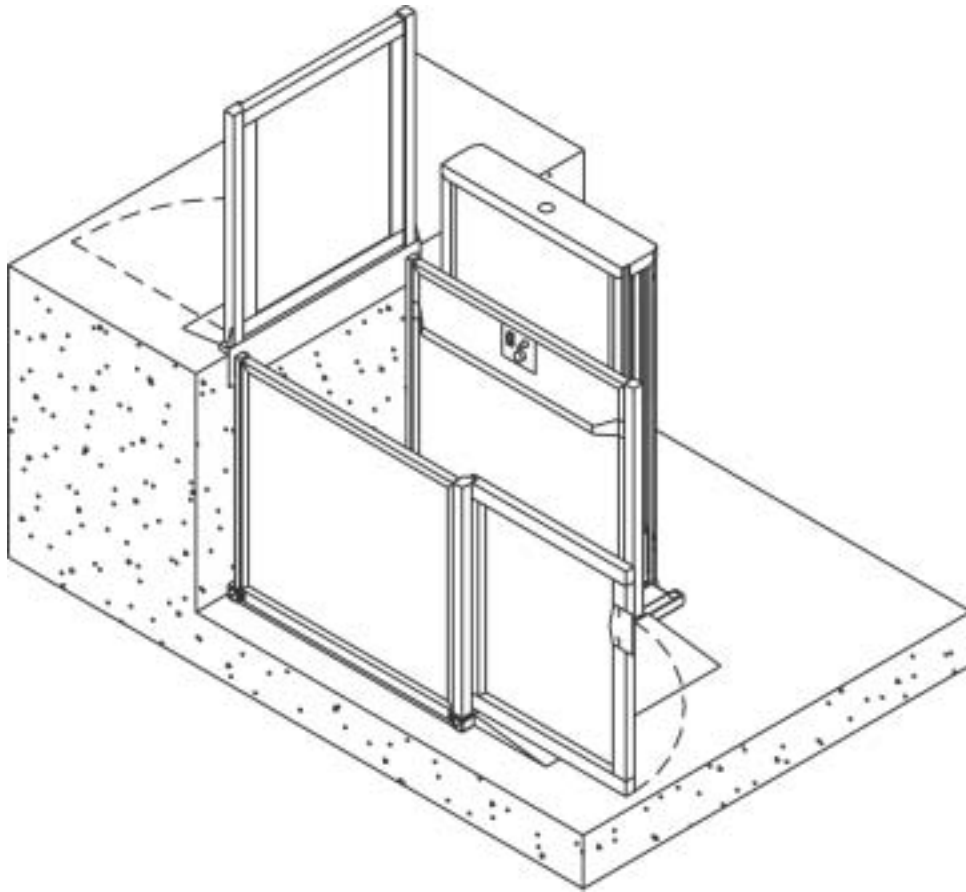


Garaventa Genesis OPAL

Vertical Wheelchair Lift

Owner's Manual



15102 Revision A

Table of Contents

TABLE OF CONTENTS

Introduction 1

OPAL Components 3

Operating Instructions 5

Platform Controls 7

Manual Lowering 8

Maintenance..... 10

Unit Finish 10

Troubleshooting 11

Specifications 12

Warranty..... 14

Introduction

INTRODUCTION

Congratulations on your purchase of the Genesis OPAL Vertical Platform Lift.

The OPAL is manufactured with the same precision and care that is a trademark of Garaventa products. You can be proud of the fact that you join thousands of others who have turned to Garaventa for their accessibility solutions.

Your lift is easy to operate and has been designed for years of reliable, trouble-free operation. As with all electrical and mechanical equipment, proper operation and periodic maintenance is required.

Important... Please refer all service work to your Garaventa dealer. Garaventa dealers have the trained technicians with the required tools and genuine replacement parts. They are committed to providing quality service!

Dealer Information

Name: _____

Address: _____

City: _____

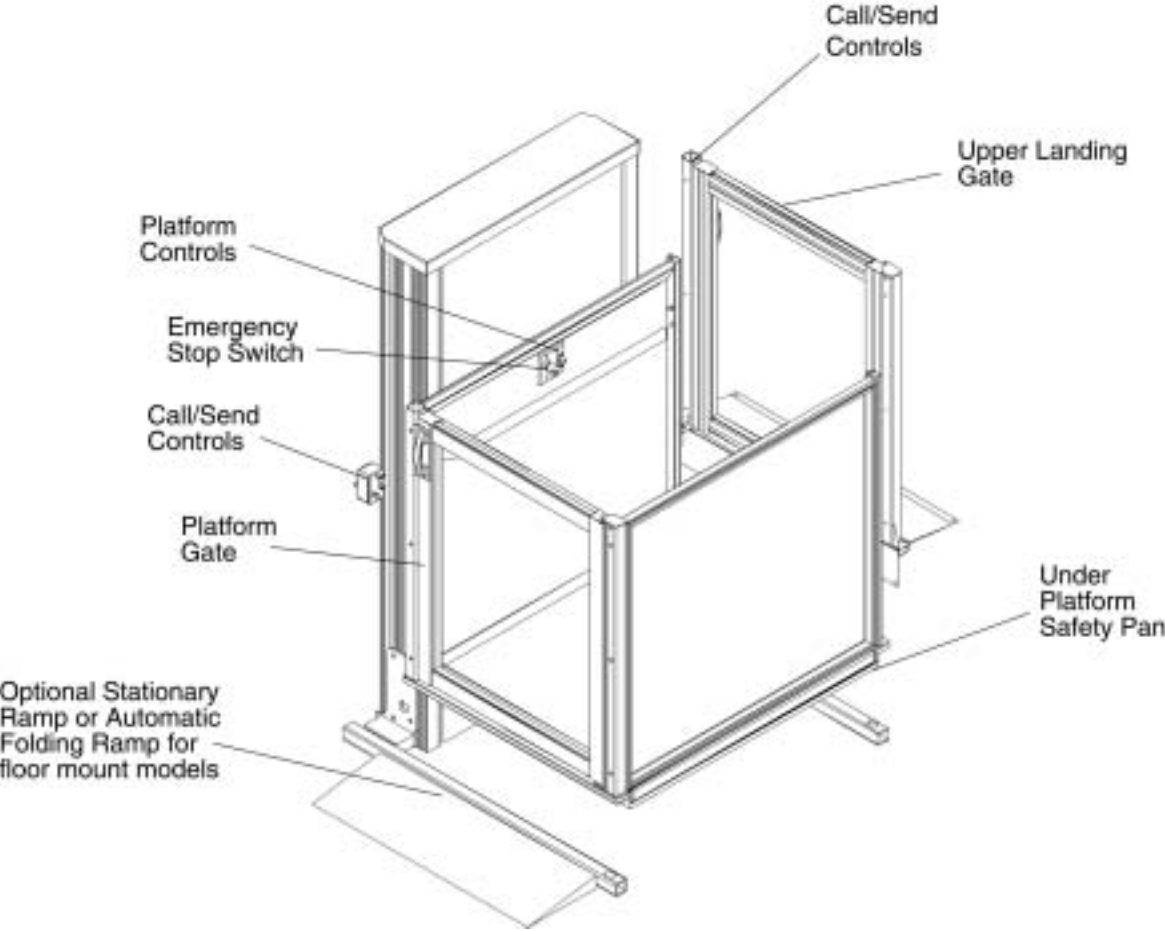
Telephone No.: _____

If you have questions concerning the operation or maintenance requirements of your OPAL, please contact the dealer listed above.

OPAL Components

OPAL COMPONENTS

Learn the location and function of all features before using your OPAL vertical lift. The OPAL is available with a Hydraulic or a Leadscrew Drive System.



OPAL COMPONENTS

DRIVE POWER REQUIREMENTS

Hydraulic Drive Operating Power

The lift is operated by 120VAC that is converted to 24VDC. A separate battery-driven, auxiliary power system will activate automatically in the event of a power failure

Leadscrew Drive Operating Power

The lift is operated from 120VAC. The lift must be connected to 120VAC to operate.

OPAL COMPONENTS

Call Stations

Call Stations are located at each landing and consist of a directional call switch and optional key switch. The easy to use “Rocker” style switches are used to call or send the platform to the desired landing. The key switch limits use to authorized persons only (keyed operation is available as an option).

Platform Directional Control Switch

The Directional Control Switch is mounted to the sidewall of the platform. Pushing the upper or lower ends of the Direction Control Switch moves the platform in the corresponding direction. The platform will automatically stop and when the switch is released.

Platform Emergency Stop/Alarm Switch

The Emergency Stop/Alarm switch is also located on the platform sidewall and can be pressed at anytime to stop the platform. An alarm will sound when the button is pressed.

Automatic Access Ramp (Optional)

When the platform is not at the lower landing the ramp is in the raised position. As the platform descends to the lower landing the ramp automatically opens.

Under Platform Safety Pan

Five heavy-duty sensing switches are located on the underside of the platform. These switches will automatically stop the platform should it encounter an obstacle during downward travel. When the safety pan is obstructed, travel in the upward direction is not disabled, allowing the platform to move away from the obstruction.

Upper and Lower Platform Gates

The electro-mechanical gate interlocks prevent the platform from operating unless the gate is fully closed. The gate automatically locks when the platform leaves landing. Gates may not be required for residential applications.

Operating Instructions

OPERATING INSTRUCTIONS

The following must be observed at all time:



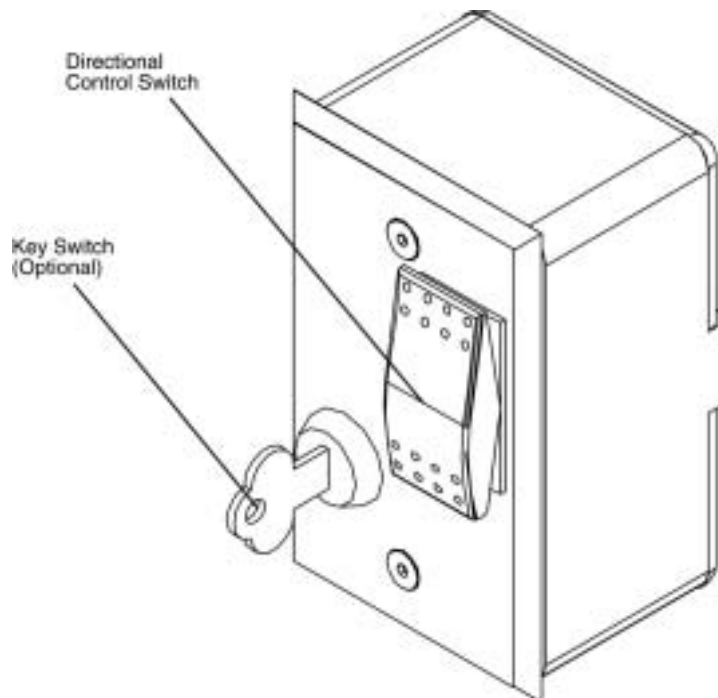
- Do not exceed capacity of 750lbs (340kg)
- Do not bypass any control sensors
- Do not use the lift to transport freight
- Do not operate the lift if it has been damaged
- Passengers must be centered on the platform during use
- Wheelchair brakes must be engaged at all times during platform movement.
- Keep hands and feet inside the platform area.

Failure to follow the above instructions may pose a safety hazard and may void the warranty

CALL/SEND CONTROLS

To “call” or “send” the platform:

1. Insert the key into key switch if the unit is equipped with a key switch and turn (clockwise) to the “ON” position.
2. Then press the directional control button in the desired (“UP” or “DOWN”) direction. The platform will stop automatically upon reaching a landing. Releasing the button at any time will stop the platform.



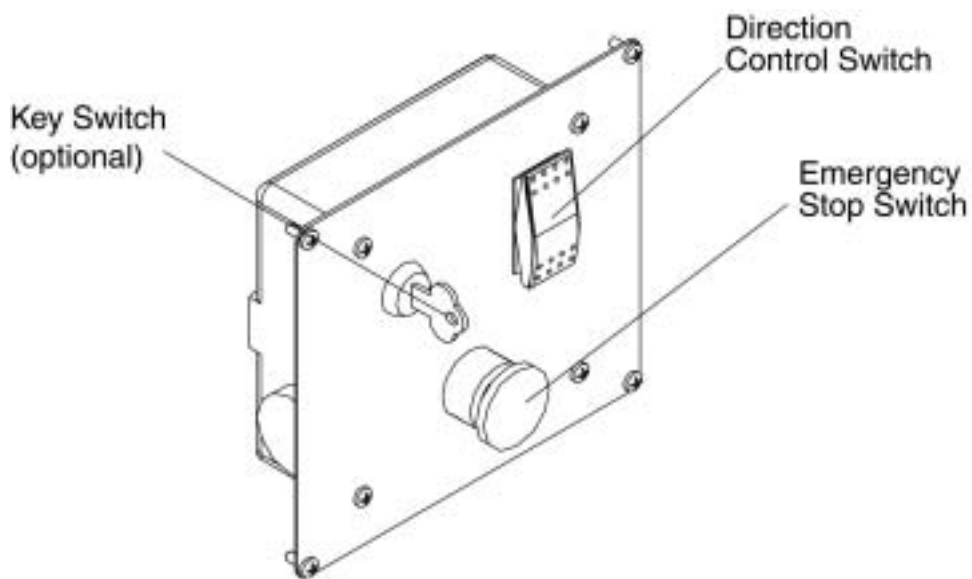
Platform Controls

PLATFORM CONTROLS

1. Upon entering the platform, ensure the gate is fully closed behind you.
2. Insert key into platform key switch (if equipped) and turn (clockwise) to the “ON” position then press and hold the directional control switch in the desired (“UP” or “DOWN”) direction. The platform will automatically stop when it reaches the landing. Releasing the button at any time will stop the platform.



Warning: Wheelchair brakes must be locked at all times during platform travel. Keep hands, feet and wheelchair inside the platform area.



Emergency Stop/Alarm Switch

The Emergency Stop/Alarm switch can be pressed at any time to stop the platform. All controls are disabled while the switch is pressed in. Pull outward on the switch to return to normal operating position.

Emergency Manual Lowering

EMERGENCY MANUAL LOWERING

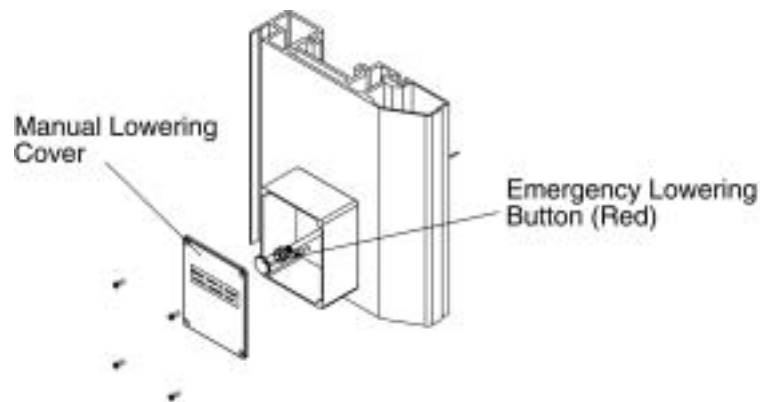
In the event of a power failure, the platform can be lowered manually. See the following steps for the appropriate drive system:



WARNING: Under platform obstruction sensing switches and limit switches are disabled when manual lowering is used.

Hydraulic Drive - Remote Lowering System

1. Turn off the power at the mains disconnect or breaker.
2. Turn off all keyed switches (if equipped and remove keys). This is very important in the event, the power is unexpectedly restored.
3. Verify the path of the platform is not obstructed in anyway.
4. Remove the manual lowering cover.
5. Pull the red button until the platform reaches the lower landing.
6. Release the button to stop downward movement.
7. Manual lowering may set the slack chain safety and render the lift inoperable. Contact your local dealer to check your lift and reset the safety device.



Slack Chain Safety Device (Hydraulic Drive System)

If one of the drive chains becomes slack, the platform will mechanically lock into the machine housing and electrically terminate power to the drive unit. Your Garaventa Accessibility dealer can reset the device.

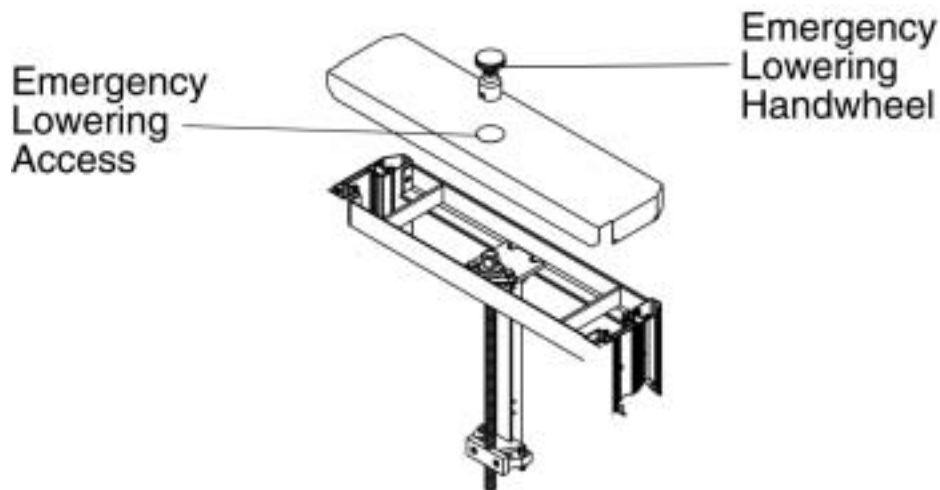
Note: If the device sets, the cause must be determined and corrected before the lift is put back into service.

Leadscrew Drive - Hand Crank

LEADSCREW DRIVE - HAND CRANK

In the event of a power failure, the platform can be raised or lowered using the hand crank per the following steps:

1. Turn off the power at the mains disconnect or breaker.
2. Turn off all keyed switches (if equipped and remove keys). This is very important in the event, the power is unexpectedly restored.
3. Remove the hole plug from the access hole located on top of the mast housing. Note: The hole plug was installed with silicone to make the access hole watertight.
4. Insert the hand crank through the access hole placing it onto the roll pins protruding from the brake drum.
5. Rotate the hand crank clockwise to raise the platform and counterclockwise to lower the platform.



Maintenance

MAINTENANCE

Regular maintenance is essential in keeping your Genesis OPAL in proper operating condition. Please remember, as the owner of this equipment you are responsible for making sure maintenance is performed on a regularly scheduled basis.

We strongly recommend that you protect your investment by having only an authorized Garaventa dealer perform all required maintenance service and repair work.

To maintain proper operating condition of your lift, the items listed below should be inspected and/or serviced every six (6) months. However, additional inspections may be necessary depending on amount of usage. In high usage areas, such as schools, nursing homes, clinics and outdoor installations, the unit should be serviced every three (3) months.

Hydraulic Drive:

- Tighten all fastening anchors
- Inspect ramp for proper operation (if equipped)
- Lubricate ramp linkage and hinges with light weight oil(if equipped)
- Check gate hinges and adjust speed of gate closer
- Inspect all travel chains for excessive wear, replace as necessary
- Check level of hydraulic fluid with the platform at the lower landing
- Check hydraulic plumbing for leaks
- Inspect all travel cables for excessive wear. Replace as necessary
- Verify operation of slack chain device
- Equalize tension of chains
- Clean mast guide channels.

Leadscrew Drive

- Tighten all fastening anchors
- Inspect ramp for proper operation (if equipped)
- Lubricate ramp linkage and hinges with light weight oil (if equipped)
- Check gate hinges and adjust speed of gate closer
- Inspect all travel cables for excessive wear. Replace as necessary
- Clean acme screw and check grease canister
- Clean mast guide channels.
- Verify proper tension of the drive belt.

Troubleshooting

UNIT FINISH

The OPAL is coated with a baked-on polyester finish. Occasional washing with mild detergent and warm water, followed by an application of automotive wax will help maintain the finish for many years. Touch up any scratched surfaces with touch-up paint.

TROUBLESHOOTING

Before you call for service...

A quick check of the Operating Instructions in this manual may prevent an unnecessary service call. Before calling your authorized Garaventa dealer for service, refer to the following checklist...

If the lift will not operate:

- Check for a blown fuse or tripped circuit breaker at the main circuit box.
- Check electrical disconnect.
- Check that gate(s) are completely closed
- Check that the emergency stop switch is not activated
- Check that the key switch is turned to the “**ON**” position (if equipped)
- If the platform stopped on the way down, move platform up and check for an obstruction underneath the platform

If the lift will not operate after checking the above items, contact your local authorized dealer for immediate service. If your lift needs servicing, use only original replacement parts and hardware to maintain quality and performance.

Specifications

SPECIFICATIONS

LEAD SCREW MODEL ONLY

Platform:

Standard Platform Size: 889mm (35") x 1220mm (48") (Other platform sizes available)

Rated Load: 341 kg (750lb.)

Speed: 2.7 meters (9") per minute

Equipped with: Non-slip surfaces on the deck

Operating Controls:

Call Stations and Platform Controls: Optional key switch on call stations and platform controls

Directional Controls: 24VDC constant pressure directional switches on call stations and platform

Drive System:

Motor: .75 H.P. motor

Drive Type: ACME screw (1" diameter)

Power Supply: 120VAC, 50/60HZ on a dedicated 20 Amp circuit

Safety Features:

Under Platform Sensors: Five commercial grade waterproof safety switches will automatically stop the platform should it encounter an obstruction.

Gate Locks: Electro-mechanical lock ensures gate is closed before travel

Emergency Stop: Stop platform travel and sounds audible alarm.

Finish:

Steel panels and framework are finished with electrostatically applied Satin Gray paint. The panels, gates and mast are framed with anodized aluminum extrusions.

Specifications

SPECIFICATIONS

HYDRAULIC MODEL ONLY

Platform:	
Standard Platform Size:	889mm (35") x 1220mm (48") (Other platform sizes available)
Rated Load:	341 kg (750lb.)
Speed:	5.2 meters (17") per minute
Equipped with:	Non-slip surfaces on the deck
Operating Controls:	
Call Stations and Platform Controls:	Optional key switch on call stations and platform controls
Directional Controls:	24VDC constant pressure directional switches on call stations and platform
Drive System:	
Motor:	3 H.P. 24VDC hydraulic motor
Drive Type:	Chain Hydraulic
Power Supply:	120VAC, 50/60Hz on a dedicated 20 Amp circuit
Safety Features:	
Under Platform Sensors:	Five commercial grade waterproof safety switches will automatically stop the platform should it encounter an obstruction.
Gate Locks:	Electro-mechanical lock ensures gate is closed before travel.
Emergency Stop:	Stop platform travel and sounds audible alarm.
Finish:	
	Steel panels and framework are finished with electrostatically applied Satin Gray paint. The panels, gates and mast are framed with anodized aluminum extrusions

Warranty

WARRANTY

Garaventa warrants the entire lift assembly to be free from defects in materials and workmanship under normal use and service for a period of one (1) year from the date of installation, reasonable wear and tear excluded. Proof of the date of installation is required to determine the warranty period.

The warranty does not extend to any Garaventa Genesis Vertical Lift unit which has been subjected to misuse, neglect, accident modifications or damage from fire, lightning or water, or used in violations of the instructions furnished, nor units repaired or altered by other than an authorized Garaventa dealer.

Garaventa's liability hereunder is limited to repair and/or replacement only. Transportation and labor charges are not covered. Garaventa accepts no liability for any loss or damage resulting from use or misuse of the equipment, whether such damage is direct, indirect or consequential. All other express or implied warranties, statutory or otherwise, are excluded.

Warranty Registration

A warranty registration form should be filed with us within ten days of the completion of your Garaventa Genesis Lift installation.

Extended Warranty Protection

Ask your authorized Garaventa dealer about our Extended Warranty Protection Plan. The Extended Warranty Protection Plan may be purchased from your authorized Garaventa dealer once you have entered into a Preventative Maintenance Agreement. The Extended Warranty Protection Plan protects your lift for an additional two years. As with any electronic or mechanical equipment, regular maintenance checks and extended warranty could save you money over the long term. To ensure that your Garaventa Genesis OPAL Lift is kept in good operation, we recommend this warranty extension program.