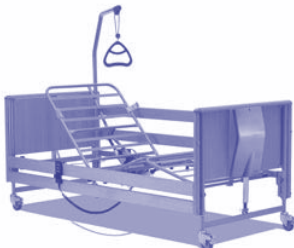
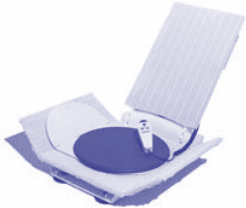

BATHLIFTS	4 - 37
------------------	---------------



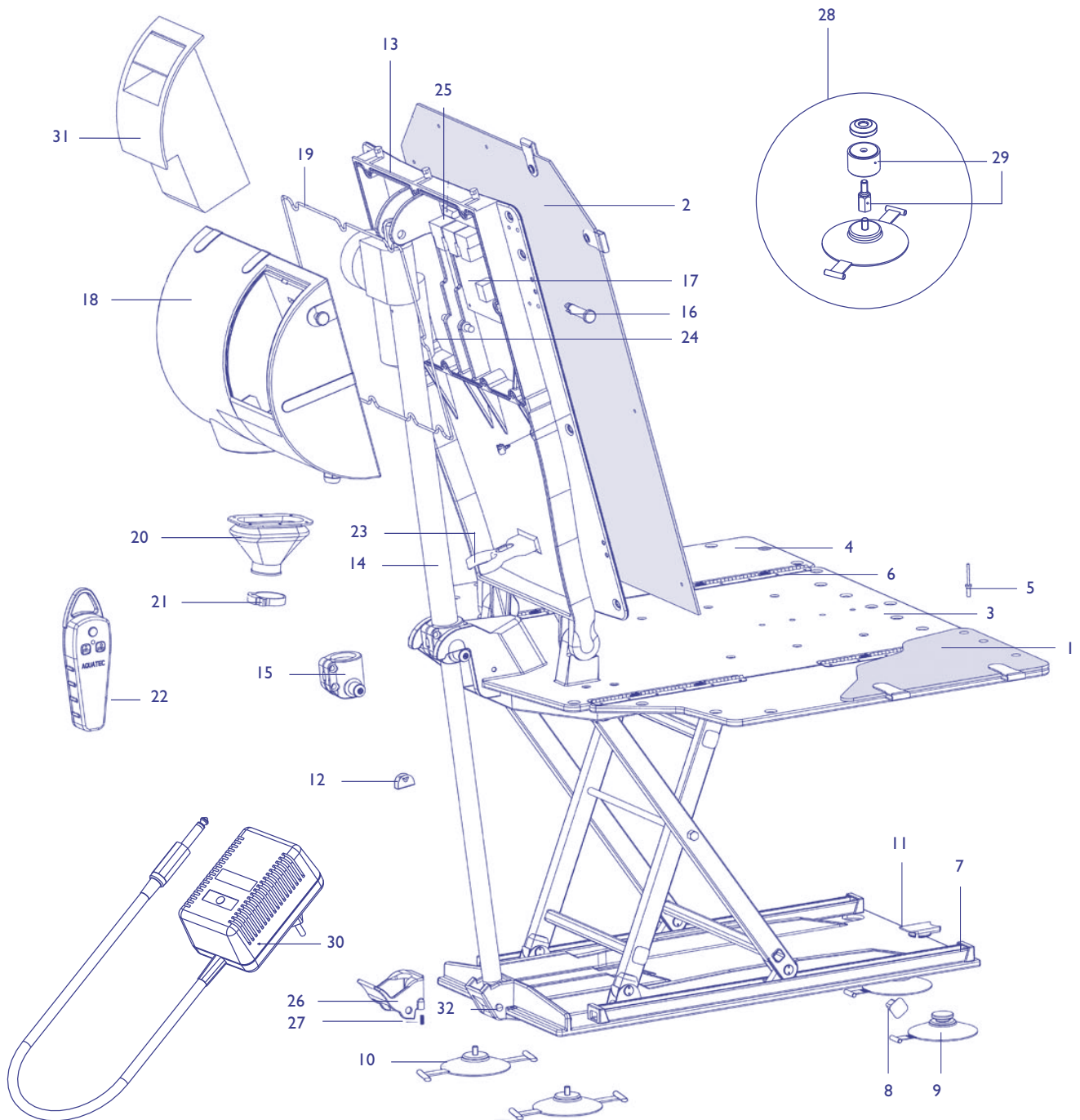
BATHLIFTS

TRANSFER AIDS	54 - 59
----------------------	----------------





Serial number 662526 or lower





Order Form

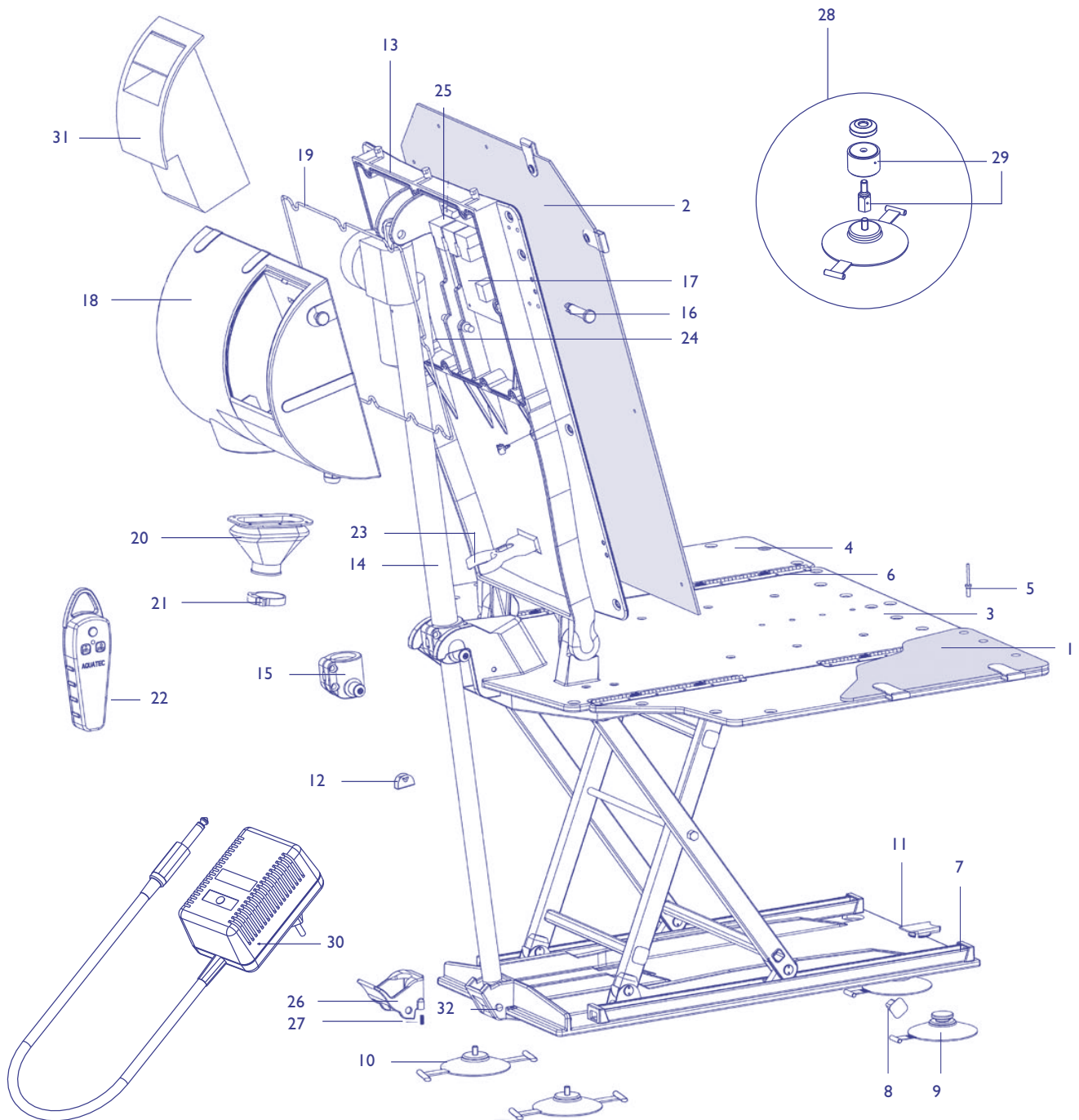
Customer	Telephone
Delivery address	Telefax
	Com.
	Sender
	Customer number

Serial number:

Units	No.	Order No.	Description
	1	14535	Cover seat, white
	1	14556	Cover seat, blue
	2	14593	Cover backrest, white
	2	14595	Cover backrest, blue
	1+2	14980	Cover set (seat and backrest), white
	1+2	14981	Cover set (seat and backrest), blue
	3	14592	Seat complete, without cover (for backrest since 1998-05)
	4	14453	Sideflap
	5	14041	Blind rivet 3,2 x 9,5
	6	11548	Hinge, drill-hole 3,2 mm
	7	10933	C-rail cover
	8	10829	Cap
	9	15072	Suction cups with toggle (pair)
	10	15071	Screw-in suction cups (pair)
	10	15189	Set of screw-in suction cups, ø 8 cm (4 pcs)
	9+10	15353	Set of suction cups (pair with toggle / pair of screw-in suction cups), ø 8 cm
	not ill.	16240	Set of suction cups large, 130 mm (4 pcs incl. 2 adapter inserts)
	11	15121	Lid for suction cup (since 1999-05)
	12	14462	U-clamp
	13	14377	Backrest complete, without cover
	13	14452	Backrest, frame only
	14	15815	Actuator complete (motor, pulley assembly, spindle foot)
	15	15829	Pulley assembly incl. screws and nuts
	16	14468	Motor bolt
	17	15182	Circuit board motor control
	18	16093	Casing for actuator
	19	14457	Gasket for casing
	20	14451	Compression cup
	21	14885	Clamp
	22	15394*	Hand control with spiral cable



Serial number 662526 or lower





Order Form

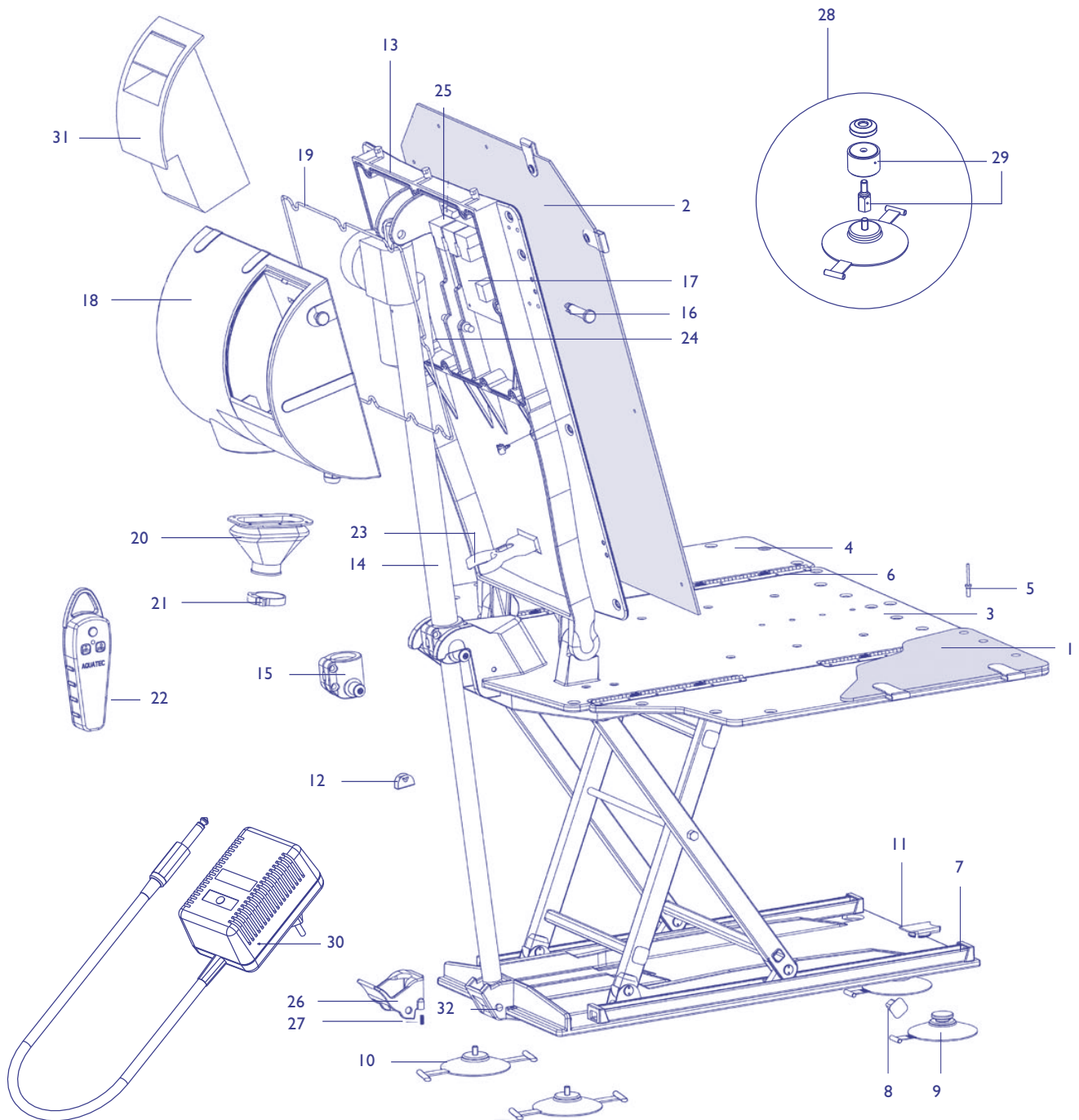
Customer	Telephone
Delivery address	Telefax
	Com.
	Sender
	Customer number

Serial number:

Units	No.	Order No.	Description
	23	14470	Spindle catch
	24	14502	Rubber ring, 60 x 1,5 mm (not ill.)
	25	14618	Glass fuse for actuator, 5 x 20 8 A inert
	26	14978	Locking device (please order also 2x spring, order no. 14929)
	27	14929	Spring for locking device
	28	15170	Height adapter set, 2 cm (height adapters and conversion kit for front suction cups)
	29	14694	Expanding set height adapters, 2 cm (height adapters, without conversion kit)
	30	15088	Battery charger (Europe)
	30	15237	Battery charger (GB)
	30	15239	Battery charger (USA)
	31	15193	Battery complete
	32	16297	Repair set for spindle foot, with glue
	32	15296	Repair set for spindle foot, without glue
	32	10837	Glue for repair set, Epple LOC 3500/A
			not illustrated
		14619	Glass fuse for charger, 5 x 20 32 mA inert
		1 x 15170 + 1 x 14694	Height adapter set, 4 cm (height adapters and conversion kit for front suction cups)
		1 x 15170 + 2 x 14694	Height adapter set, 6 cm (height adapters and conversion kit for front suction cups)
		15298	Conversion kit without height adapters (adapter inserts, suction cups)
		15874	Recirculation kit, white: cover set (seat and backrest), suction cups, user manual (up to serial no. 392059, until 1999-04)
		15875	Recirculation kit, blue: cover set (seat and backrest), suction cups, user manual (up to serial no. 392059, until 1999-04)
		15877	Recirculation kit, white: cover set (seat and backrest), suction cups, lids for suction cups, user manual (from serial no. 392060, since 1999-05)
		15878	Recirculation kit, blue: cover set (seat and backrest), suction cups, lids for suction cups, user manual (from serial no. 392060, since 1999-05)



Serial number 662526 or lower



Order Form

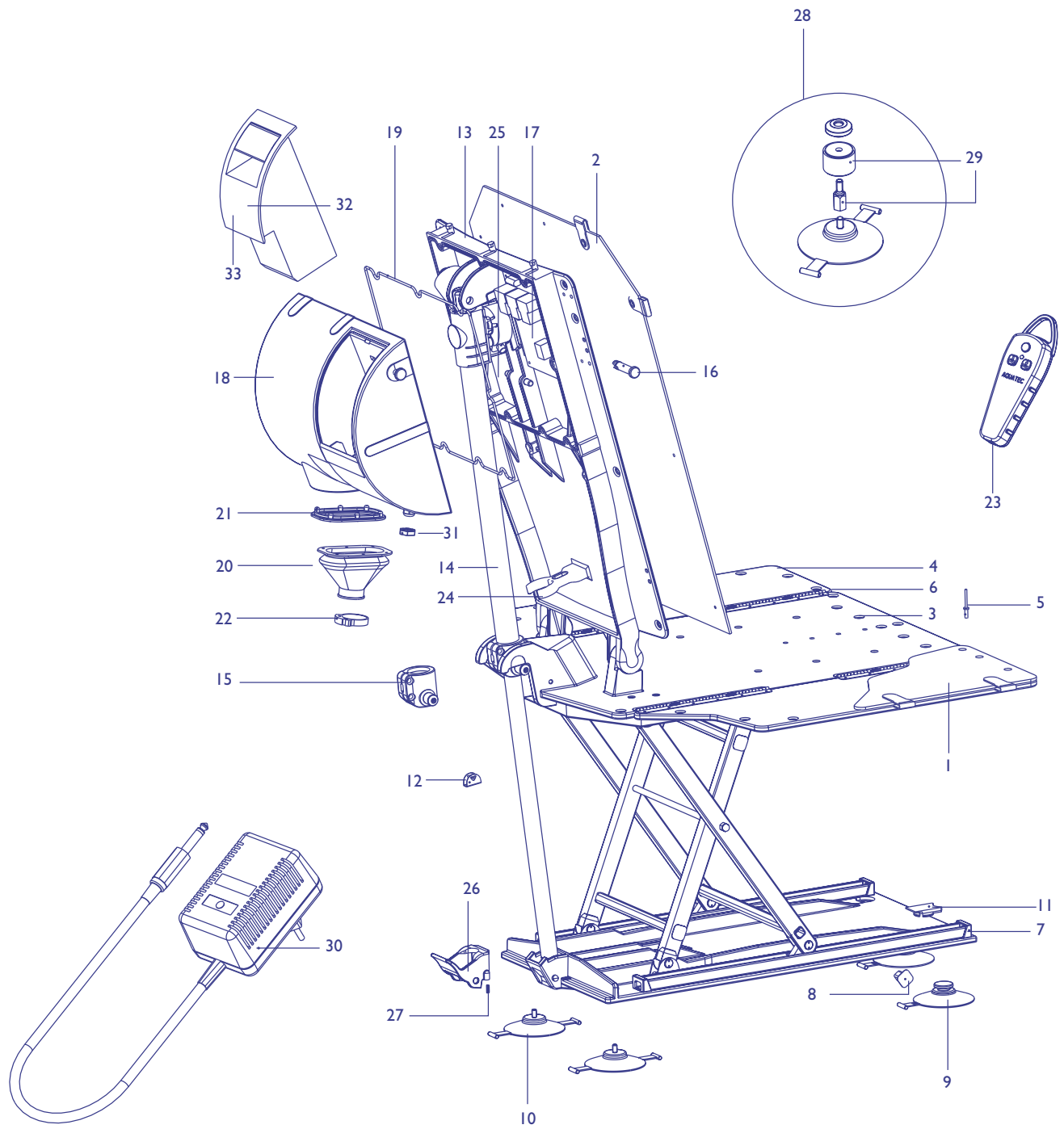
Customer	Telephone
Delivery address	Telefax
	Com.
	Sender
	Customer number

Serial number:

Units	No.	Order No.	Description	
			not illustrated	
		15243	Cover special backrest, white	
		15244	Cover special backrest, blue	
		15466	Cover head support, white	
		15467	Cover head support, blue	
		15622	User manual	



Serial number 662527 or higher





Order Form

Customer	Telephone
Delivery address	Telefax
	Com.
	Sender
	Customer number

Serial number:

Units	No.	Order No.	Description
	1	14535	Cover seat, white
	1	14556	Cover seat, blue
	2	14593	Cover backrest, white
	2	14595	Cover backrest, blue
	1+2	14980	Cover set (seat and backrest), white
	1+2	14981	Cover set (seat and backrest), blue
	3	14592	Seat complete, without cover
	4	14453	Sideflap
	5	14041	Blind rivet 3,2 x 9,5
	6	11548	Hinge, drill-hole 3,2 mm
	7	10933	C-rail cover
	8	10829	Cap
	9	15072	Suction cups with toggle (pair)
	10	15071	Screw-in suction cups (pair)
	10	15189	Set of screw-in suction cups, ø 8 cm (4 pcs)
	9+10	15353	Set of suction cups (pair with toggle / pair of screw-in suction cups), ø 8 cm
	not. ill.	16240	Set of suction cups large, 130 mm (4 pcs incl. 2 adapter inserts)
	11	15121	Lid for suction cup
	12	14462	U-clamp
	13	14377	Backrest complete, without cover
	13	14452	Backrest, frame only
	14	15815	Actuator complete (motor, pulley assembly, spindle foot)
	15	15829	Pulley assembly incl. screws and nuts
	16	14468	Motor bolt
	17	15687	Circuit board motor control
	18	16093	Casing for actuator
	19	14457	Gasket for casing
	20	14451	Compression cup



Serial number 662527 or higher

