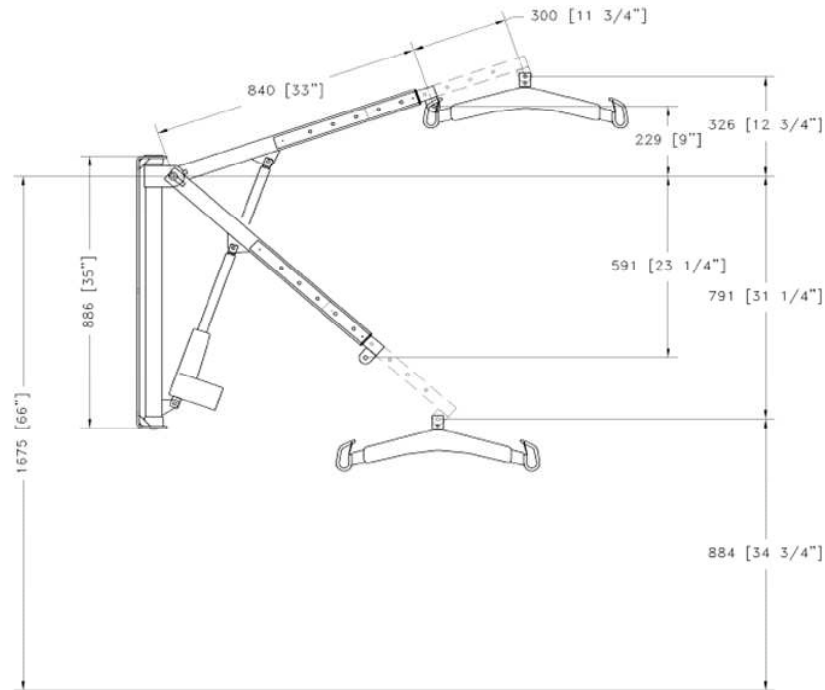
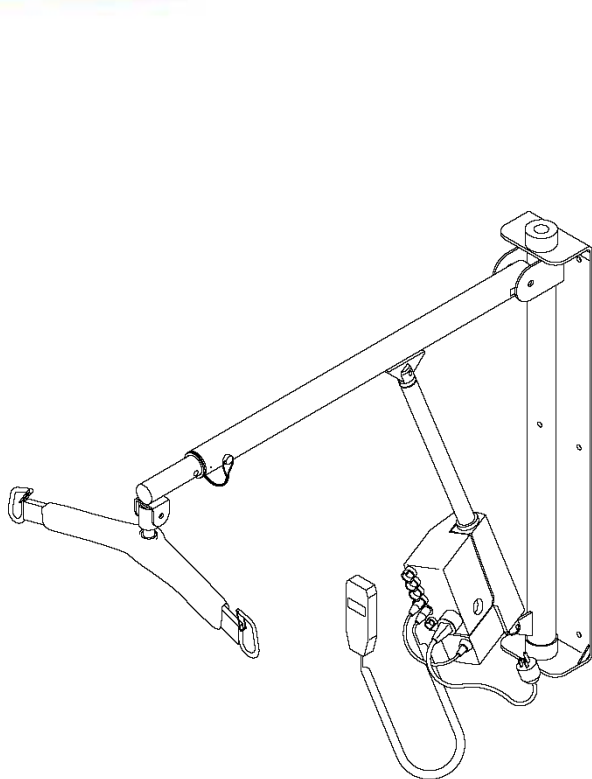


# Ergolift WL 350lbs capacity...



# Ergolift WL 350lbs capacity...



TOTAL LIFTING RANGE: 826 (32.5") - 1155 (45")  
 TIME FOR TOTAL TRAVEL: 40 sec.  
 CAPACITY: 160kg (350lb)  
 APPROX. WEIGHT: 14.5kg (32lb)

SPECIFICATIONS SUBJECT TO CHANGE WITHOUT NOTICE

|   |           |
|---|-----------|
| NON SPECIFIED TOLERANCES:<br>DIMENSION IN MILLIMETRES |           |
| DECIMALS:   | ANGLES:   |
| .X ± .5   | ± 1°      |
| .XX ± .25   | 0 DECIMAL |
| .XXX ± .025   | ± 1'      |
| MATERIAL: - - -                                       |           |
| SCALE:  | DATE:     |
| 1 = 15  | 07-10-9   |

# Ergolift WL on 2x4 wooden studs...

