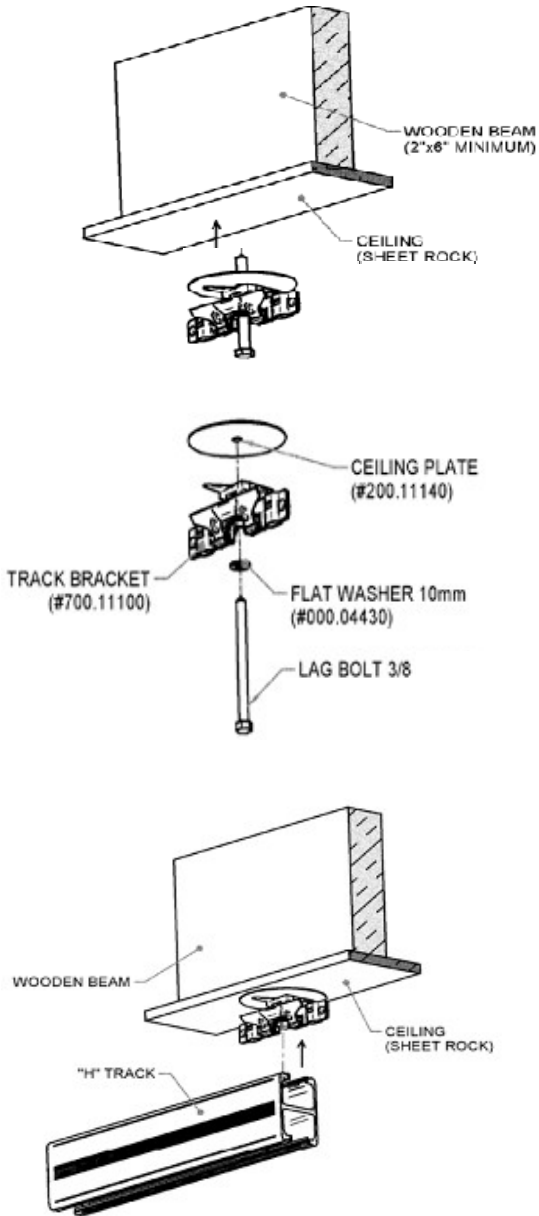


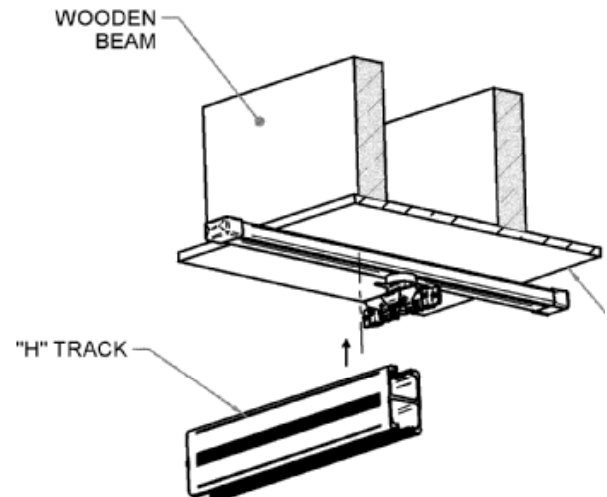
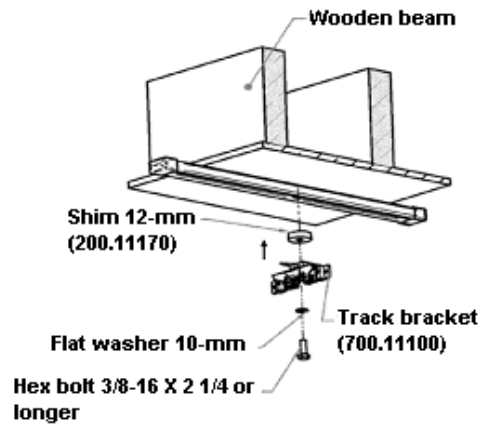
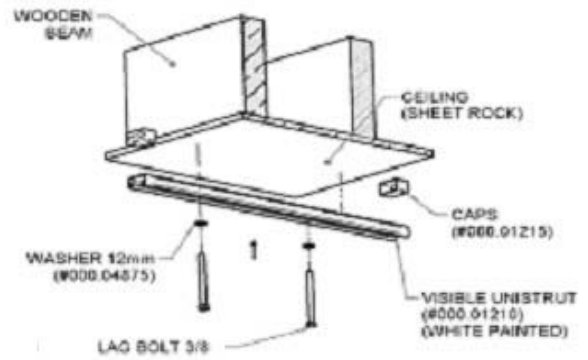
Appendix 4.1.3 c) KWIKtrak

For more information, consult the “Kwiktrak Installation Guide” of BHM Medical.

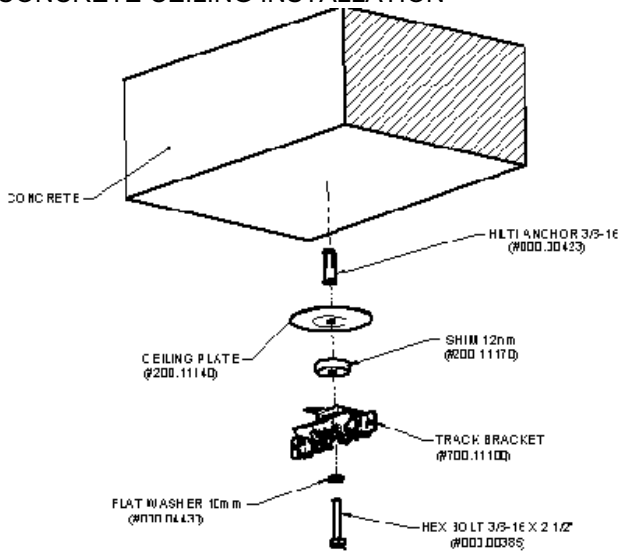
WOOD BEAM INSTALLATION (2 X 6")



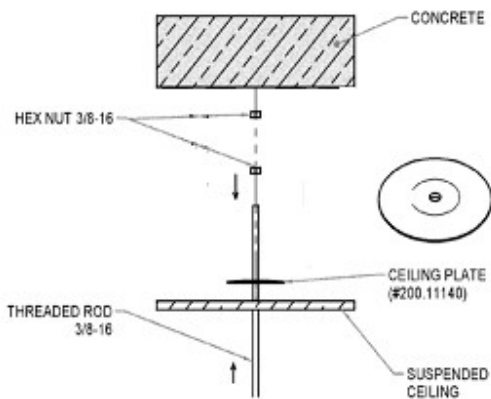
WOOD BEAM INSTALLATION (2 X 6") - BETWEEN BEAMS



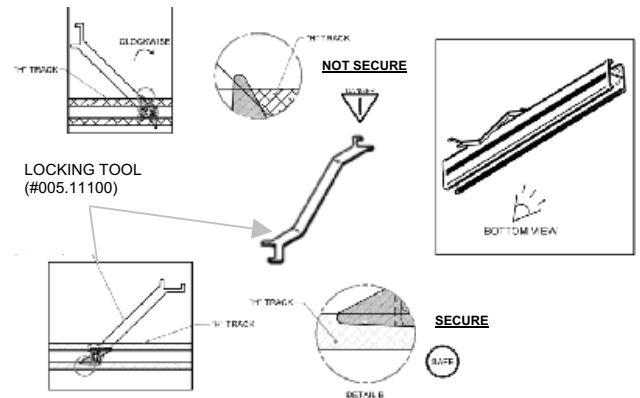
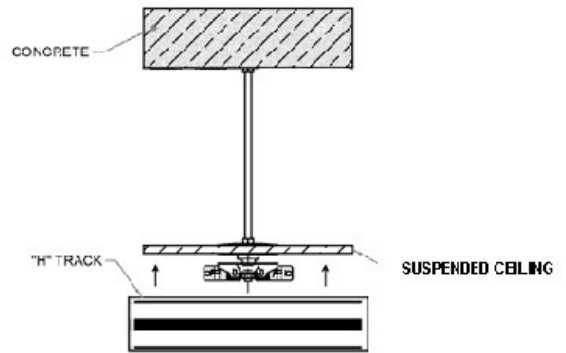
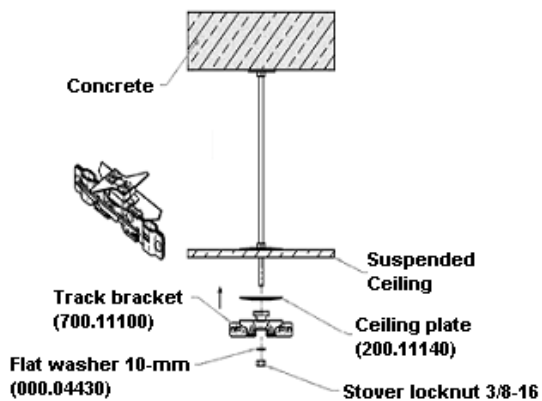
CONCRETE CEILING INSTALLATION



SUSPENDED CEILING WITH CONCRETE STRUCTURE




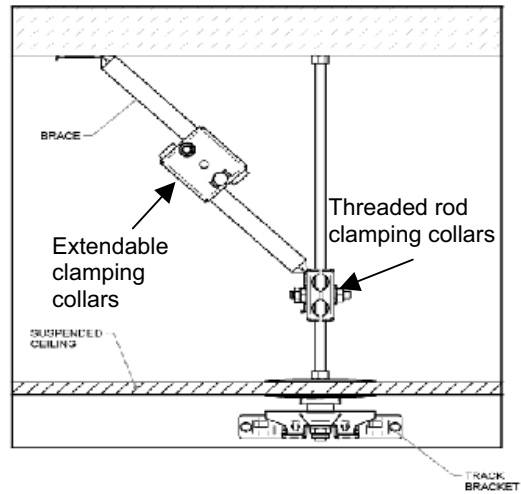
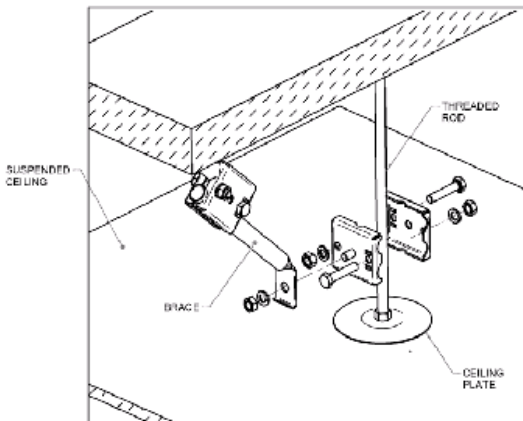
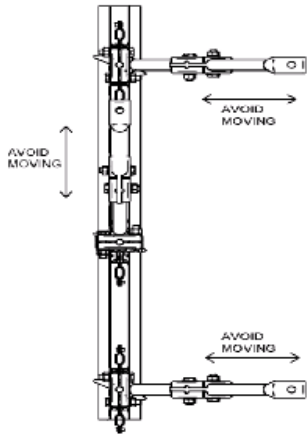
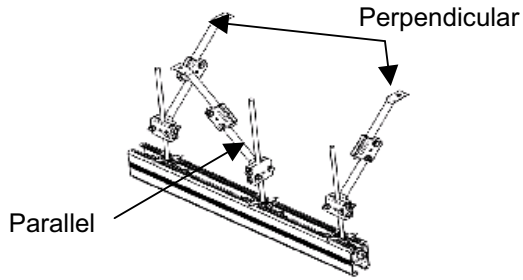
Insert a ceiling plate.
Install track brackets as shown on diagram below.



Make sure that brackets are properly locked. Check the strength of the installation.

Lateral Brace (#700.11350) Installation

 We recommend the usage of lateral braces if the distance between the suspended ceiling and anchors are more than 18 inches.



JOINT BETWEEN TWO TRACKS

